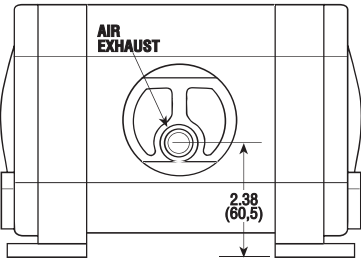


CLASSIC PERFORMANCE

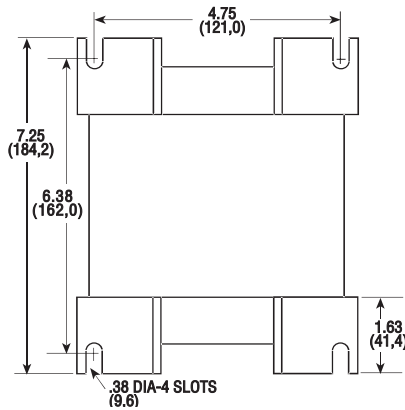
1/4"



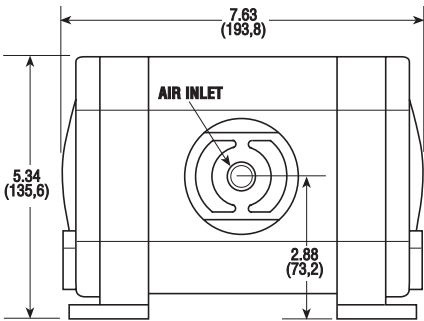
PLASTIC Dimensions in inches and (mm).



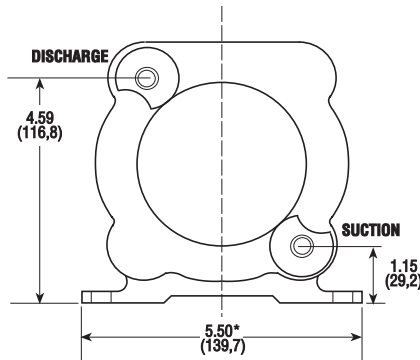
Rear View



Footprint



Front View



Side View

*Approximate Dimension with Muffler—06.18 (157,0)

PLASTIC MODELS:

NC-025 (Polypropylene/Geolast*)	5 lbs. (2,3 kg.)
NC-025E (Polypropylene/Santoprene*)	5 lbs. (2,3 kg.)
BK-025 (Polypropylene/PTFE)	5 lbs. (2,3 kg.)
RD-025 (Nylon/PTFE)	5 lbs. (2,3 kg.)
RD-025B (Nylon/Geolast*/PTFE)	5 lbs. (2,3 kg.)
CN-025 (Conductive Nylon/PTFE)	7 lbs. (3,2 kg.)
CN-025B (Conductive Nylon/Geolast**)	7 lbs. (3,2 kg.)
KN-025 (PVDF/PTFE)	7 lbs. (3,2 kg.)
KN-025E (PVDF/Santoprene*)	7 lbs. (3,2 kg.)

See page 4 for fastener and valve seat material.

SPECIFICATIONS:

Capacity:
Adjustable 0 to 4.3 GPM (16,3 liters/min.)

Maximum Temperature:
KN-025 Model. 200°F (93°C)
Other Models. 150°F (66°C)

Maximum Air Pressure:
All Models 100 PSI (6,8 bar)

Minimum Air Pressure:
All Models 20 PSI (1,3 bar)

Dry Lift Capacity @ 100 PSI (6,8 bar):
All Models 17 ft. (5 meters)

Maximum Solids: 1/16" (1,6 mm)

Air Supply:
Inlet 1/4" NPT Female
Outlet. 1/4" NPT Female
• Muffler supplied

Fluid Inlet/Discharge: 1/4" NPT
• BSP threads available upon request
• For optional dual manifold inlet/outlet, add -P25 to Model No.

PERFORMANCE CURVE (Based on water-flooded suction)

