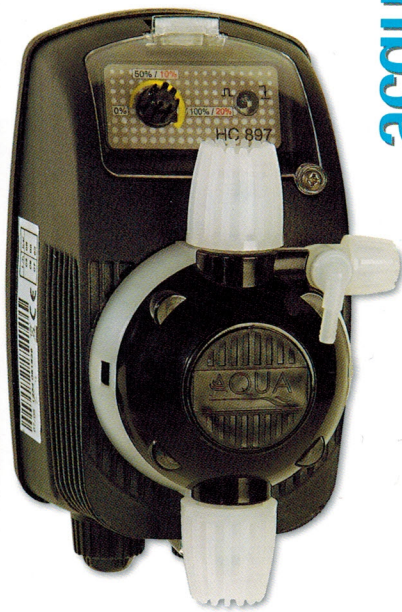


acqua HC 897



TECHNICAL DETAIL

Constant Flow Solenoid Driven Dosing Pump
 PTFE diaphragm
 Stroke frequency control 0+100%
 Analogue Controls
 1 LED display status
 Double scale pulse reduction: 0+100% - 0+20%
 On-Off power switch
 Air Bleed valve for priming
 Low-Level control facility
 Wall mounting or foot mounting with bracket (both included)
 Reinforced PPE housing
 Supplied with complete accessory Kit
 Power Supply: 220-230V ± 10% - 50/60Hz
 IP 65 protection

Solenoid Driven Dosing Pumps HC 897

Constant mode

The pump flow rate is adjusted via a strokes frequency knob. The pump will constantly perform the dosing operation according to the flow rate selected by the selected frequency.

Double scale adjustment

For accurate control of flow, a pump pulse reduction selector.

LIQUID ENDS MATERIAL

HC 897	Standard Version	Upon request
Pump head	PVDF	PP
Diaphragm	PTFE	-
Ball check valves	PTFE	Ceramic, Glass Pyrex
Connection fitting	PVDF	PP
Seals/O-rings	Viton®	Dutral®
Injection Fitting	PVDF	PP
Foot Valve/Filter Fitting	PVDF	PP
Upon request: Lip valves	Viton®	Dutral®

TECHNICAL CHARACTERISTICS HC 897 SERIES

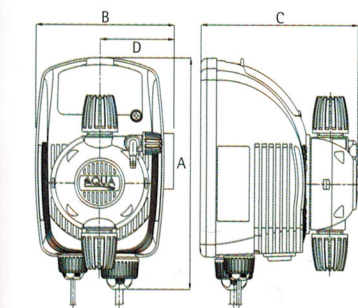
	MAX FLOW l/h	MAX PRESSURE bar	STROKE FREQUENCY per min.	STROKE VOLUME ml/pulse	POWER CONS. watt	HOSE SIZE mm	PUMP HEAD model
AD89000010000	2	8	150	0,22	15	4 x 6	PP 1/2"
AD89000010000	5	5	150	0,55	15	4 x 6	PP 1/2"
AD89000010000	7	2	150	0,77	15	4 x 6	PP 1/2"
AD89001010000	7	4	150	0,77	15	4 x 6	PP 1/2"
AD89001010000	8	2	150	0,88	15	4 x 6	PP 1/2"
AD89001010000	10	0	150	1,11	15	4 x 6	PP 1/2"
AD89002010000	3	12	150	0,33	20	4 x 6	PP 1/2"
AD89002010000	4	10	150	0,44	20	4 x 6	PP 1/2"
AD89002010000	5	8	150	0,55	20	4 x 6	PP 1/2"
AD89003010000	10	4	180	0,93	20	4 x 6	PP 1/2"
AD89003010000	12	2	180	1,11	20	4 x 6	PP 1/2"
AD89003010000	14	0	180	1,29	20	4 x 6	PP 1/2"

STANDARD ACCESSORY KIT

n. 1 PP Injection No-return sleeve valve	n. 1 PP Foot Valve with lip valve
n. 2 m. PE Discharge Hose	n. 1,5 PVC Crystal Air Bleed Hose
n. 2 m. PVC Crystal Suction Hose	Power supply: 230 Vac-1 phase-50/60 Hz / ± 10%

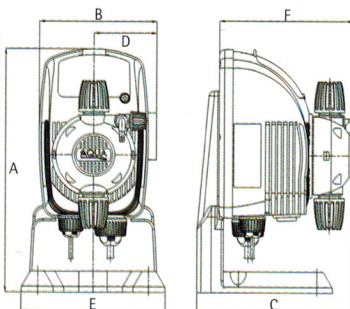
On request level probe ADLSG1

Series HC 897



DIMENSIONI (mm) a x b x c x d wall mounted

188 x 112 x 128 x 60



DIMENSIONI (mm) a x b x c x d x e x f with bracket

233 x 112 x 149 x 60 x 138 x 128